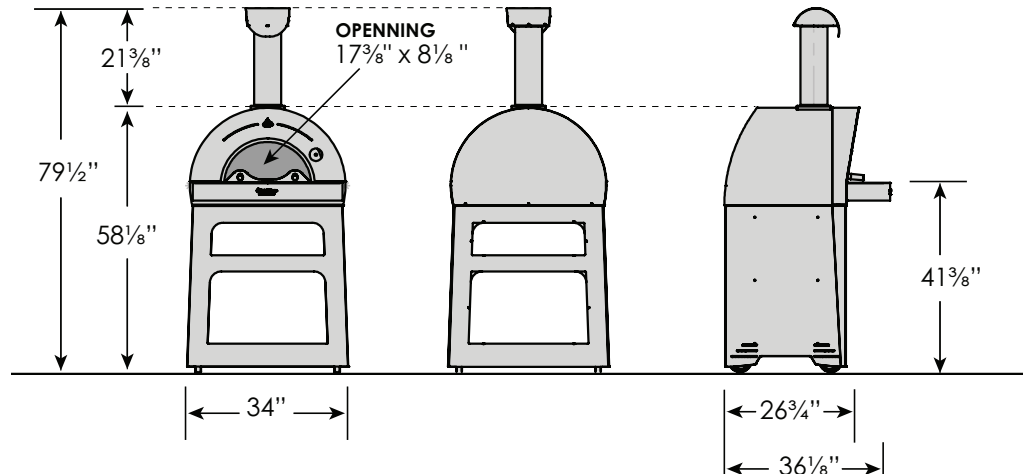
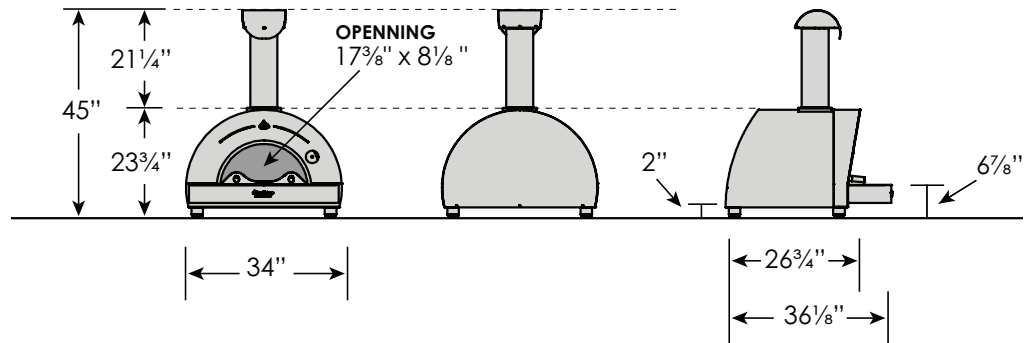


FREESTANDING



COUNTER TOP



INSTALLATION

- The oven ships ready to be installed outdoors, including the chimney and cap.
- The oven may be installed in a 3-season porch with the addition of a chimney adaptor kit and additional chimney pipe. *
- Counter top ovens may be installed on non-combustible surface using the feet included with the unit.
- Ember protection: A non-combustible floor is required in front of the oven equal to the width of the oven and extending 18" in front of the oven opening.*
- Burn only natural firewood (known as cordwood). This oven is not designed to burn other fuels.

* Always refer to the HearthStone Owner's Manual and the local authority having jurisdiction in your area for the specific installation requirements for your product.

** Recommended maximum temperature.

SPECIFICATIONS

Fuel	Wood
Heat Up Time	20 min
Oven Temp.	Up to 750 F**
Weight Counter Top	220 lbs
Weight Freestanding	374 lbs
Oven Capacity	3.2 sqft
Finish	Stainless Steel & Copper Powder Coat

CLEARANCES

Allow a minimum of 8 in. clearance to combustible materials to the back and sides of the oven.*

