

PRODUCT INFORMATION

MODEL

TAURUS 46



TAURUS 26



TAURUS 16

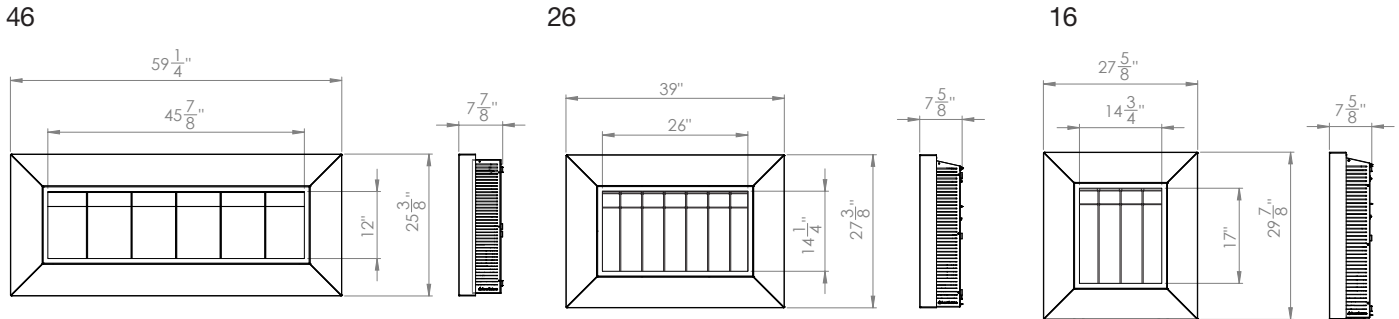


SPECIFICATIONS

MODEL	46	26	16
Efficiency	Up to 99%	Up to 99%	Up to 99%
Burn Rate NG	31,750 - 22,400 BTU's/hr	21,500 - 14,000 BTU's/hr	12,150 - 7,500 BTU's/hr
Burn Rate LP	31,900 - 21,100 BTU's/hr	21,300 - 13,300 BTU's/hr	12,600 - 7,600 BTU's/hr
Fuel	Order NG or LP	Order NG or LP	Order NG or LP
Ignition System	Maxitrol GV60	Maxitrol GV60	Maxitrol GV60
Linear Burner	Diamond Media Included	Diamond media included	Diamond media included
Smart Remote Control	Included	Included	Included
Electric	Battery Operated	Battery Operated	Battery Operated
Corner Installation Kit	NA	Optional	Optional
Weight	155 lbs.	130 lbs.	105 lbs.

DIMENSIONS

MODEL



GLASS MEDIA



Diamond

FINISH



Orbital Stainless Steel

CLEARANCE

Side / Corner	6"
Ceiling	8"
Floor	3"

AURORA
gas fireplaces