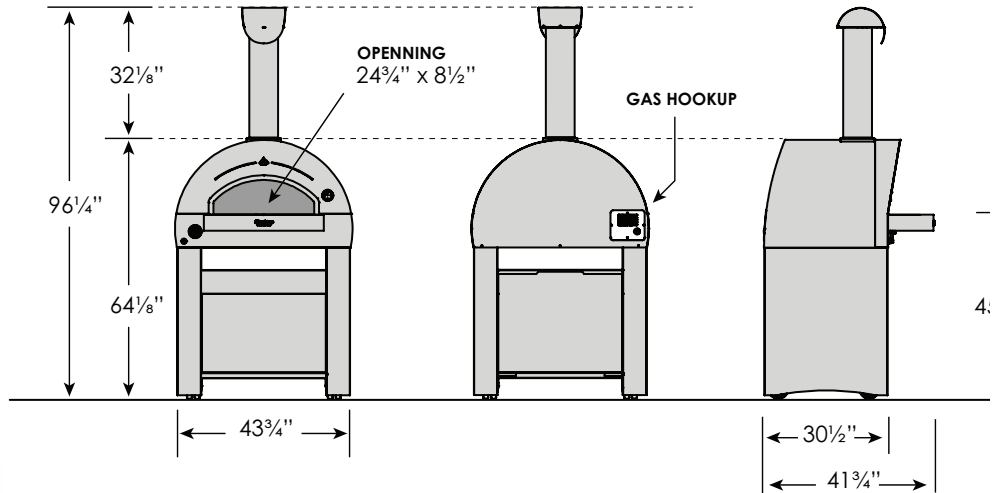
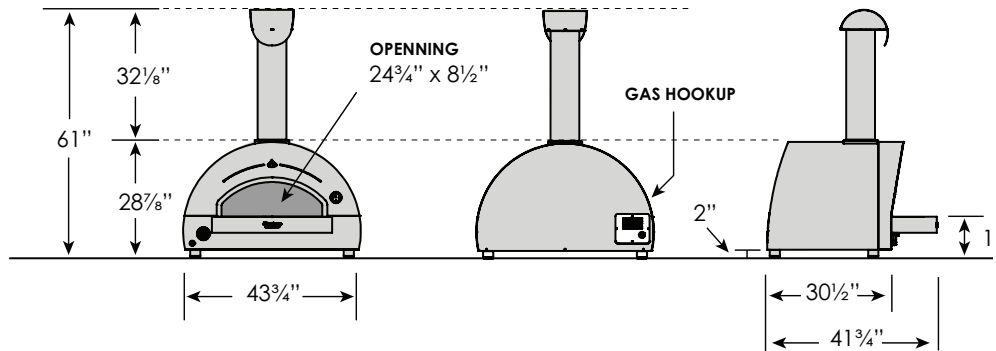


FREESTANDING



COUNTER TOP



INSTALLATION

- The oven must be installed outdoors.
- Chimney pipe and cap included with the oven. The chimney may be extended using 7" stove pipe and the pipe adapter kit. *
- Counter top ovens may be installed on any surface using the feet included with the unit.
- HearthStone recommends using a 40 lb. liquid propane tank with the included gas regulator. Gas tank supplied by the owner. The oven may also be connected to a gas supply piping system.
- Ember protection: A non-combustible floor is required in front of the oven equal to the width of the oven and extending 18" in front of the oven opening.*
- Burn only natural firewood (known as cordwood). This oven is not designed to burn other fuels.

* Always refer to the HearthStone Owner's Manual and the local authority having jurisdiction in your area for the specific installation requirements for your product.

** Recommended maximum temperature.

SPECIFICATIONS

Fuel	Wood or Gas (LP or NG)
Gas Burn Rate	Up to 60,000 BTUs/hr
Heat Up Time	20 min
Oven Temp.	Up to 750 F**
Weight Counter Top	374 lbs
Weight Freestanding	519 lbs
Oven Capacity	5.8 sqft
Finish	Stainless Steel & Copper Powder Coat

CLEARANCES

